



US00D544747S

(12) **United States Design Patent**  
**Biddle et al.**

(10) **Patent No.:** **US D544,747 S**

(45) **Date of Patent:** **\*\* Jun. 19, 2007**

(54) **DELI SLICER**

(75) Inventors: **Fredric James Biddle**, Kalamazoo, MI (US); **Kristina Jean Genslak**, St. Joseph, MI (US); **Todd William Zazelenchuk**, Belmont, CA (US); **Kirsten Climer**, Ann Arbor, MI (US)

(73) Assignee: **Whirlpool Corporation**, Benton Harbor, MI (US)

(\*\*) Term: **14 Years**

(21) Appl. No.: **29/223,287**

(22) Filed: **Feb. 11, 2005**

(51) **LOC (8) Cl.** ..... **31-00**

(52) **U.S. Cl.** ..... **D7/383**

(58) **Field of Classification Search** ..... D7/376-386, D7/693; 83/77, 91, 102, 104, 167, 168, 451, 83/452, 478, 663, 701, 703, 707, 708, 733, 83/856, 858, 859; 134/6; 241/46.11, 46.13, 241/46.15, 46.17

See application file for complete search history.

(56) **References Cited**

**U.S. PATENT DOCUMENTS**

D89,839 S *	5/1933	Folk	.....	D7/383
D107,855 S *	1/1938	Dapp	.....	D7/383
D135,739 S *	6/1943	Arens et al.	.....	D7/383
D145,406 S *	8/1946	Meyer	.....	D7/383
D180,304 S *	5/1957	Van Duyn	.....	D7/383

2,970,623 A *	2/1961	Lundell	.....	83/703
D269,347 S *	6/1983	Cantatore et al.	.....	D7/383
D372,633 S *	8/1996	Redl, Jr.	.....	D7/383
D418,012 S *	12/1999	Van Dullemen et al.	.....	D7/383
D424,867 S *	5/2000	Van Dullemen	.....	D7/383
D463,713 S *	10/2002	Zhu	.....	D7/383
D488,953 S *	4/2004	Friel, Sr.	.....	D7/383
D513,682 S *	1/2006	Friel et al.	.....	D7/383

\* cited by examiner

*Primary Examiner*—Cathron C. Brooks

*Assistant Examiner*—Ricky Pham

(74) *Attorney, Agent, or Firm*—Clifton Green; Tara M. Hartman; John F. Colligan

(57) **CLAIM**

The ornamental design of a deli slicer, as shown and described.

**DESCRIPTION**

FIG. 1 is a front perspective view of the deli slicer showing the new design;

FIG. 2 is a front elevational view thereof;

FIG. 3 is a rear elevational view thereof;

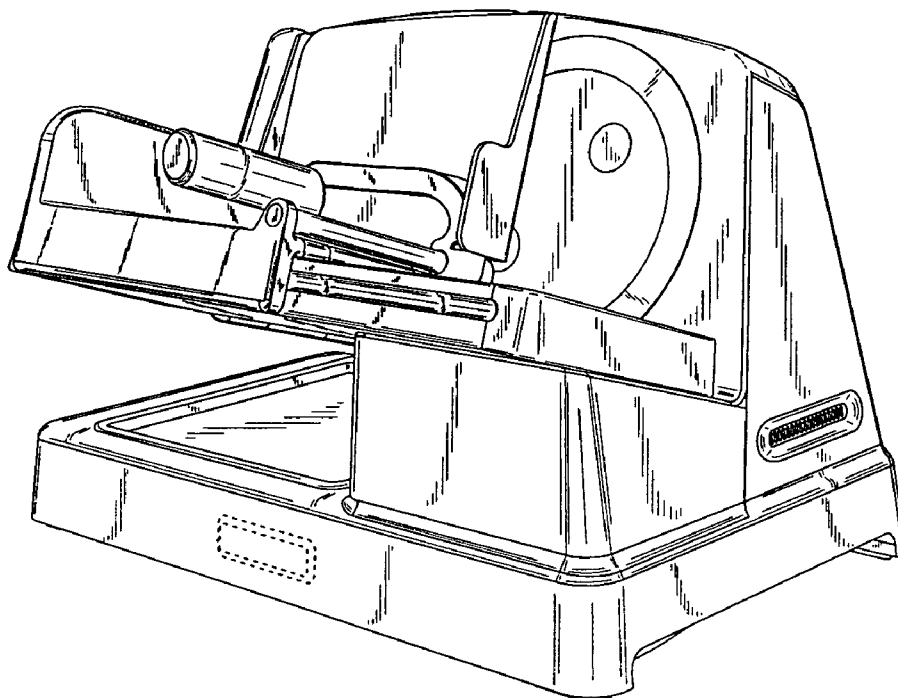
FIG. 4 is a right side elevational view thereof;

FIG. 5 is a left side elevational view thereof; and,

FIG. 6 is a top plan view thereof.

The portion of the design shown in broken lines is for illustrative purposes only and forms no part of the design.

**1 Claim, 4 Drawing Sheets**



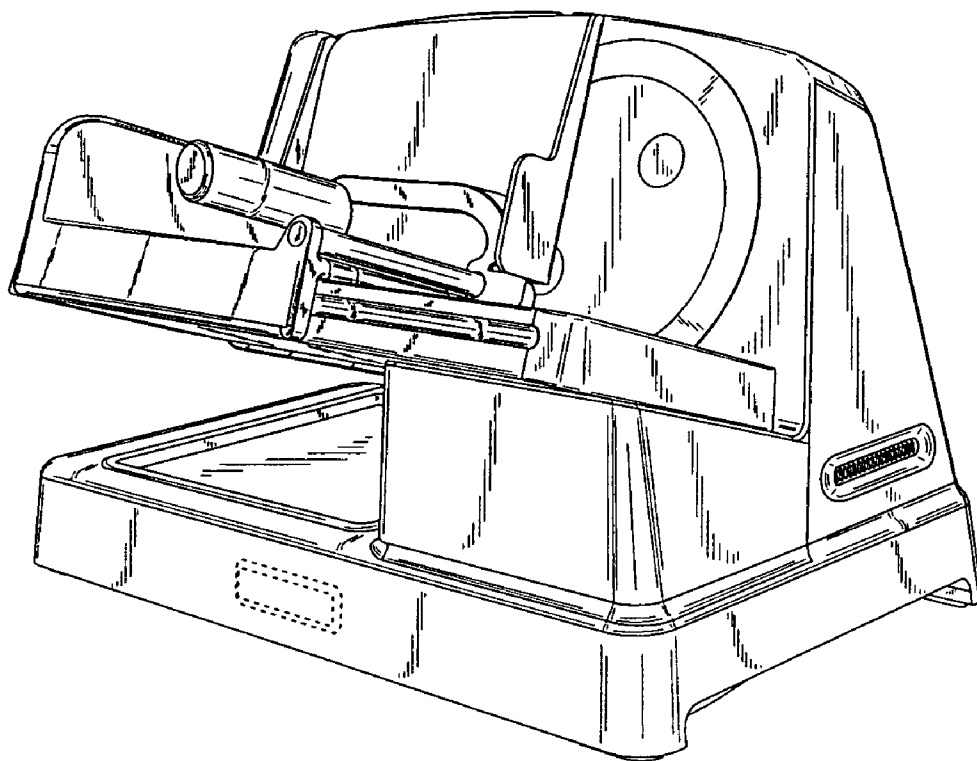
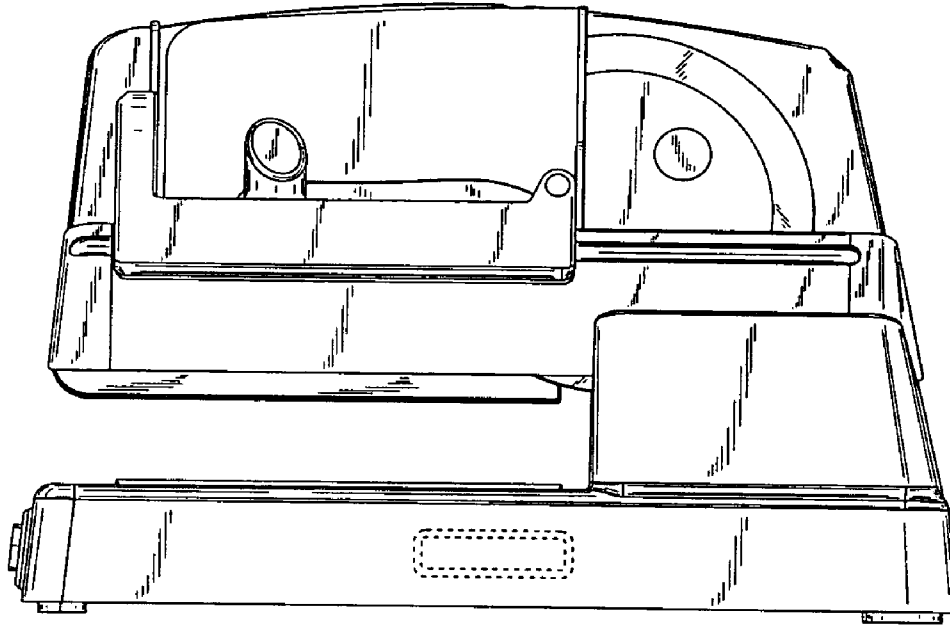
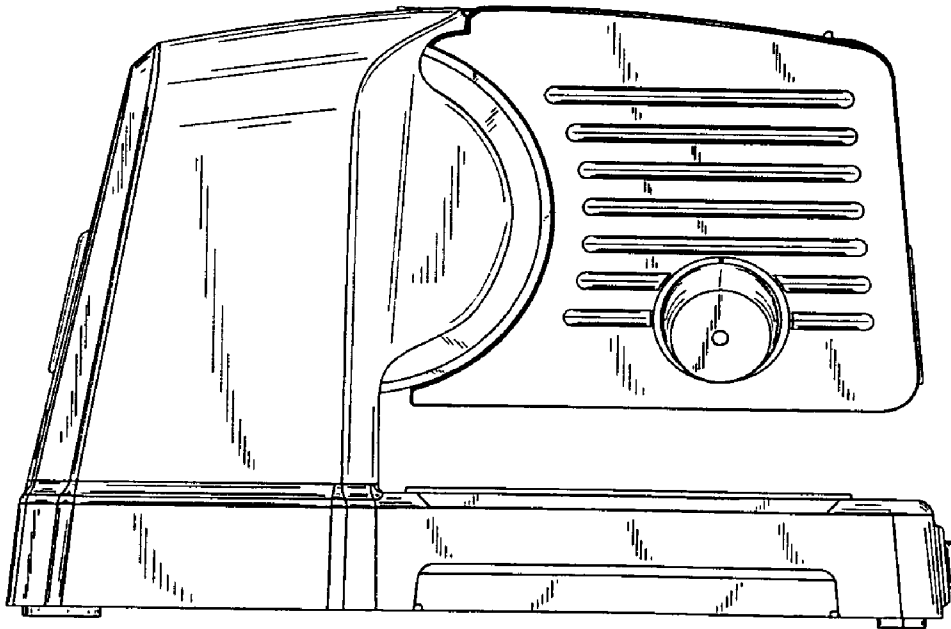


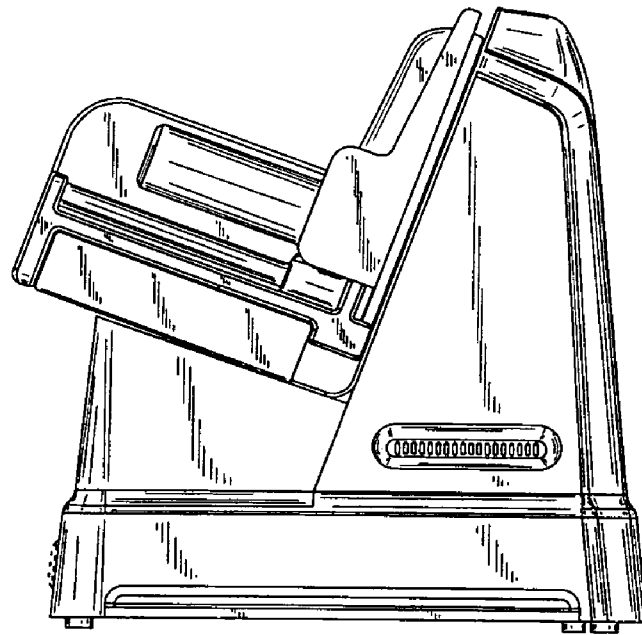
Fig. 1



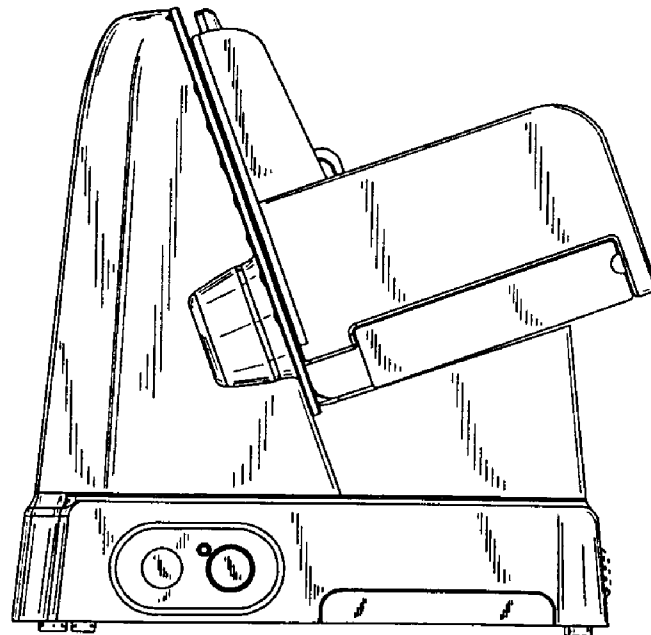
**Fig. 2**



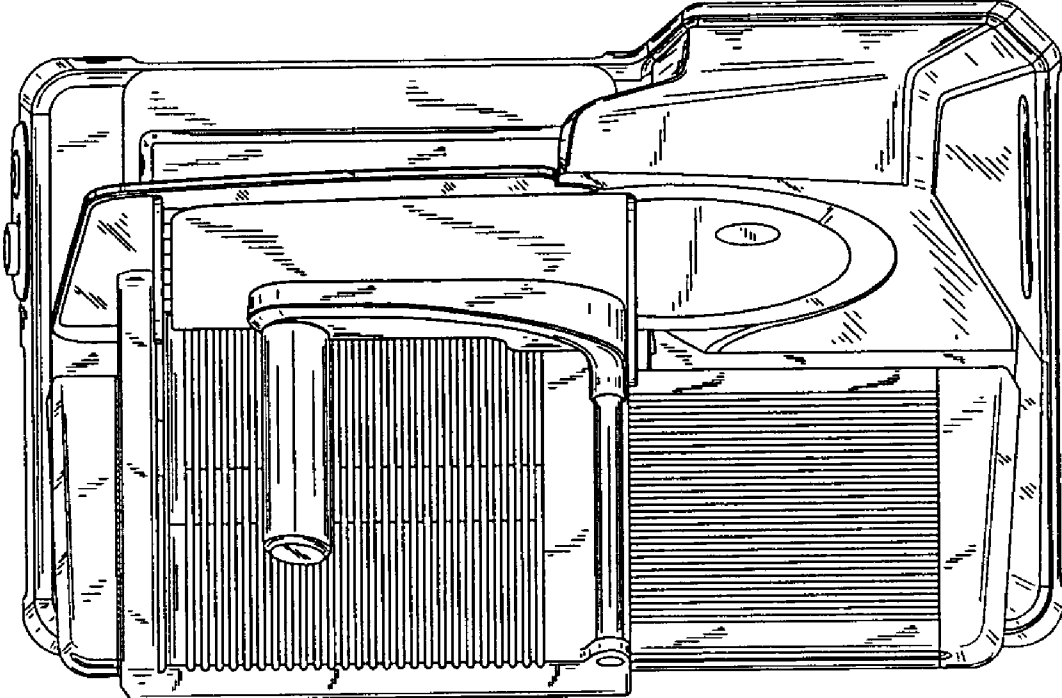
**Fig. 3**



**Fig 4**



**Fig 5**



**Fig. 6**